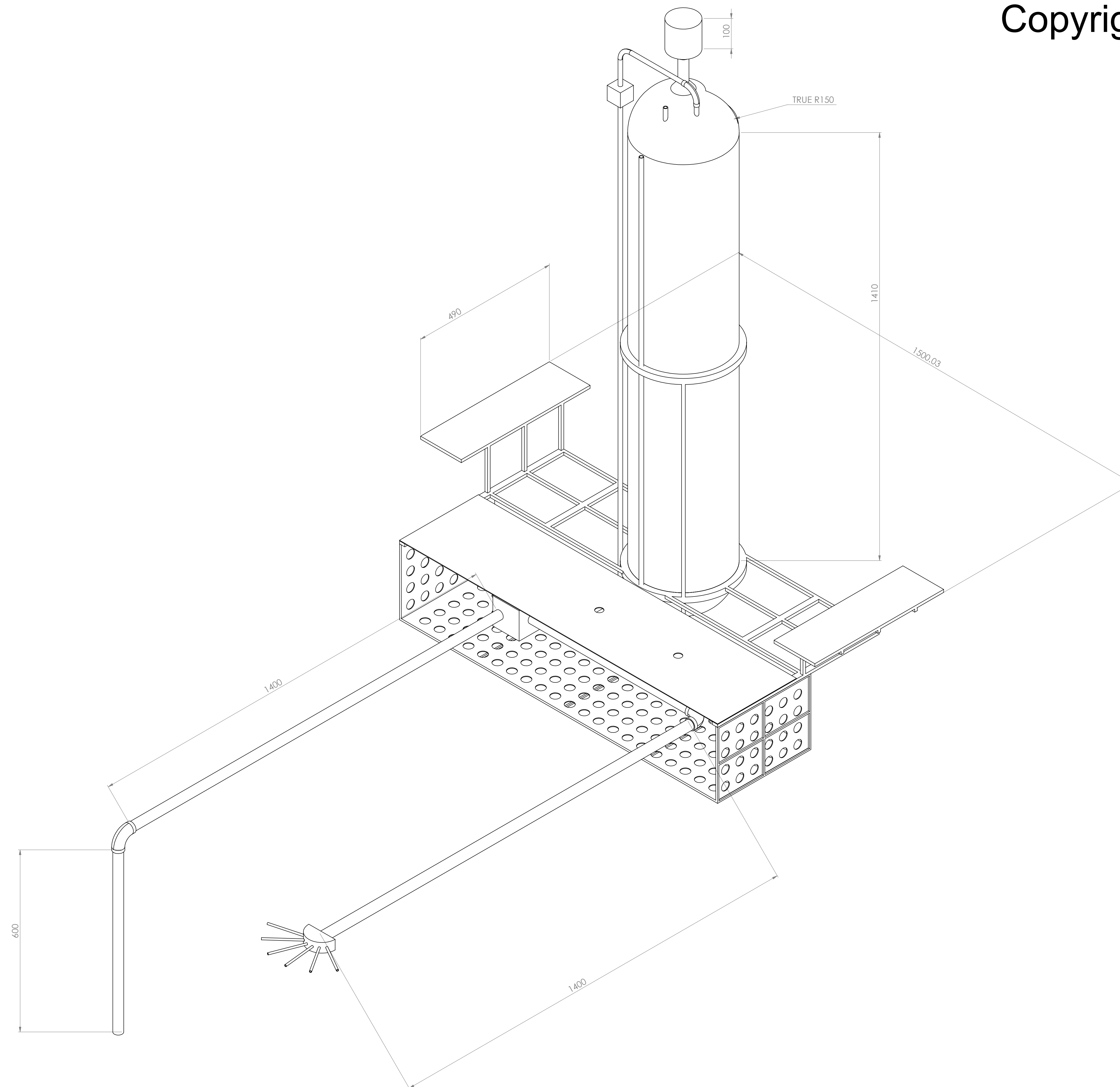


All Sizes are in mm  
 Copyright: Blueweight



UNITS DIMENSIONS SPECIES:		UNIT:	UNIT AND	DO NOT SCALE DRAWING	REVISION
DIMENSIONS ARE IN MILLIMETRES			SCALE GROUP		
SURFACE FINISH:					
MATERIAL:					
ANNOUANCE					
NAME	SIGNATURE	DATE			TITLE
DESIGN					
CHECK					
APPROVE					
MFG					
QA			MATERIAL		DWG NO: aaaaa_asm01 A1
			WEIGHT		SCALE: 1:50 SHEET OF 1